

Control Contactor Solid State Lighting Relay

CR602NOEISWHPL1C1

Applications

- New LED Projects
- Highways
- Parking Lots
- Secure Areas
- Industrial Plants
- Schools
- Airports
- Stadiums
- Billboards

Rugged Durable Design Proven

Performance

Real World Tested

Consistent Reliability

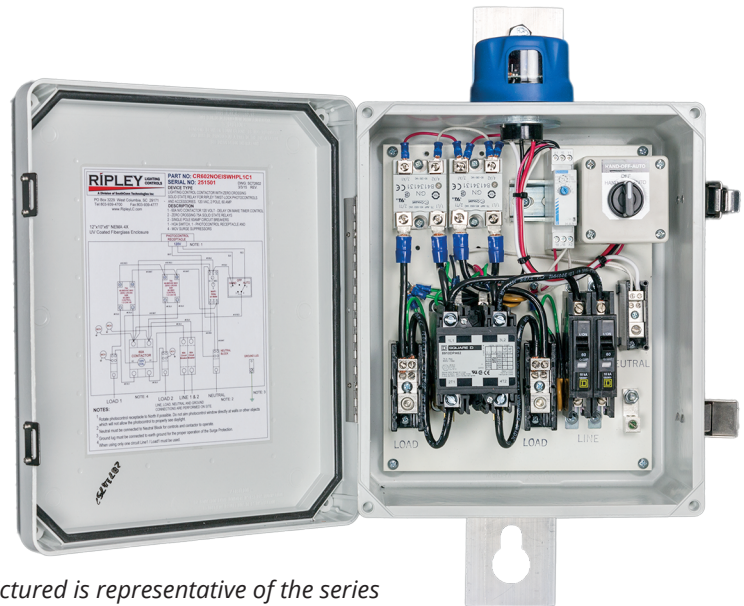
Quality Components

Maintenance Friendly

To see our full product line,
specification sheets and more,
go to www.ripleylightingcontrols.com

Phone: (803) 939-4700
Fax: (803) 939-4777
Email: info@RipleyLightingControls.com

www.RipleyLightingControls.com



* Unit pictured is representative of the series

Specifications

- Lighting Contactor w/ Zero Crossing Solid State relay
- 120/240VAC
- 60 AMP
- 2 Poles
- 360° Swivel Photocontrol Receptacle*
- Line Side Breaker
- MOV Surge Protection on both Load and Line Side
- Control (Pilot) Voltage 120 VAC
- NEMA 4X Wall Mount Weather Proof Enclosure (16"x14"x6")
- Stainless Steel Pad lockable Latch
- Aluminum C-Channel Key slot Mounting Bracket

CR

60

2

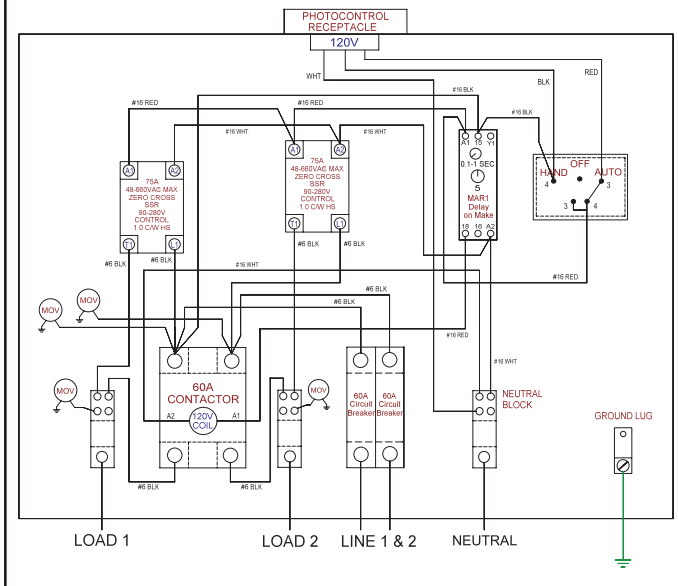
User
Options

120/240

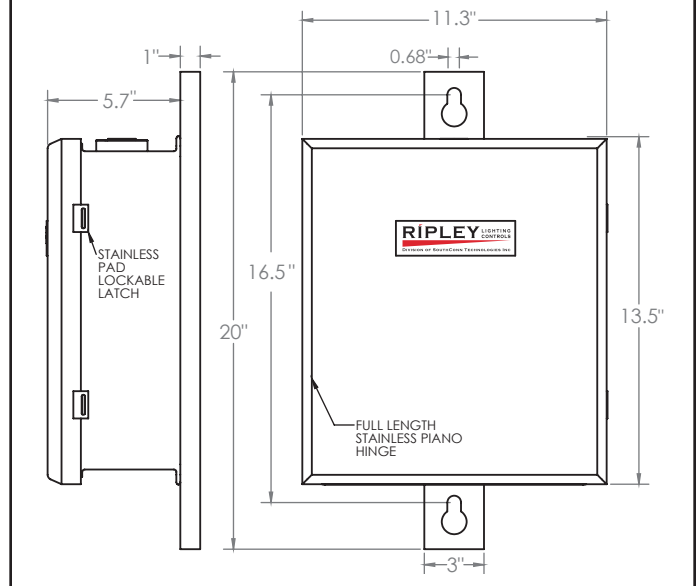
Technical Information Continued on Next Page

Control Contactor Solid State Lighting Relay

Electrical Information



Mechanical Information



CR602NOEISWHPL1C1

Amps (Per Pole)	60
Poles	2
Supply Voltage (Line)	120/240VAC
Control Voltage (Pilot)	120
Pilot Type	360° Swivel Photocontrol Receptacle
Switches	Hand-Off-Auto
Circuit Load Protection	Supply Side (Line) Breaker
Surge Protection	MOV Line & Load Side
Wiring Termination Block	Neutral Block & Ground Lug
Enclosure	NEMA 4X (Weatherproof)
Enclosure Dimensions	12"x10"x6"
Contactor Type	Electromechanical & Solid State

CR

60

2

User Options

120/240

Ripley Lighting Controls partnering with industry leaders assuring highest quality products.

Meets or exceeds rigid quality requirements of Ripley Lighting Controls

Phone: (803) 939-4700
 Fax: (803) 939-4777
 Email: info@RipleyLightingControls.com

© 2021 by Ripley Lighting Controls, a Unit of Electroschwitch. All rights reserved. The information in this document is provided for informational use only and is subject to change without notice.